

## FT-101EX DC-DC Converter Installation

For the installation of DC-DC Converter, Base and Collector wires have been fitted in the power supply in FT-101EX. The Converter kit can ensure successful DC operation of the Transceiver.

### PARTS REQUIRED:

1) Transistor $Q_1$ , $Q_2$ 2N4280	2
2) Heat Sink	1
3) Heat Sink Cover	1
4) Heat Sink Clamp	2
5) Screw M3 x 25	4
6) M3 Flat Washer	4
7) M3 Spring Washer	4
8) DC Cable (with 12 P Square Plug)	1
9) Fuse 20 A	2
10) Tapping Screw M3 x 6	4
11) Insulator 1429-A	1
12) MP Condenser 0.47 $\mu$ F 60V	1

### INSTALLATION:

- 1) Remove the nylon clamp from the back panel and remove also the vinyl tube from the wires.
- 2) Take the protection paper off from the Insulator and stick the insulator on the back panel.
- 3) Fix the Heat Sink Clamps on the back panel as illustrated in Figure 1.
- 4) Connect the wires coming from the back panel to each transistor as shown in Figure 2. Make sure each wire is soldered well.
- 5) Use the four screws M3 x 25 to install the Heat Sink and its cover.
- 6) Change the AC power cord to DC power cord.

STARTING CHECK-UP

- 1) Both Power and Heater Switches off for starting.
- 2) Connect the DC Power Cord to either 12 Volt battery or 13.5 Volt power unit, connecting the red cord to the(+) side and the black cord to the(-)side of the battery.
- 3) Set the Power Switch on. Advance the AF GAIN Switch. Then make sure that the Receiver noise is heard for normal operation.
- 4) Set the Heater Switch on, ensure the DC-DC Converter works and the fan motor runs. When the fan motor does not function, reverse the Yellow and Green wire connections for a proper polarity.

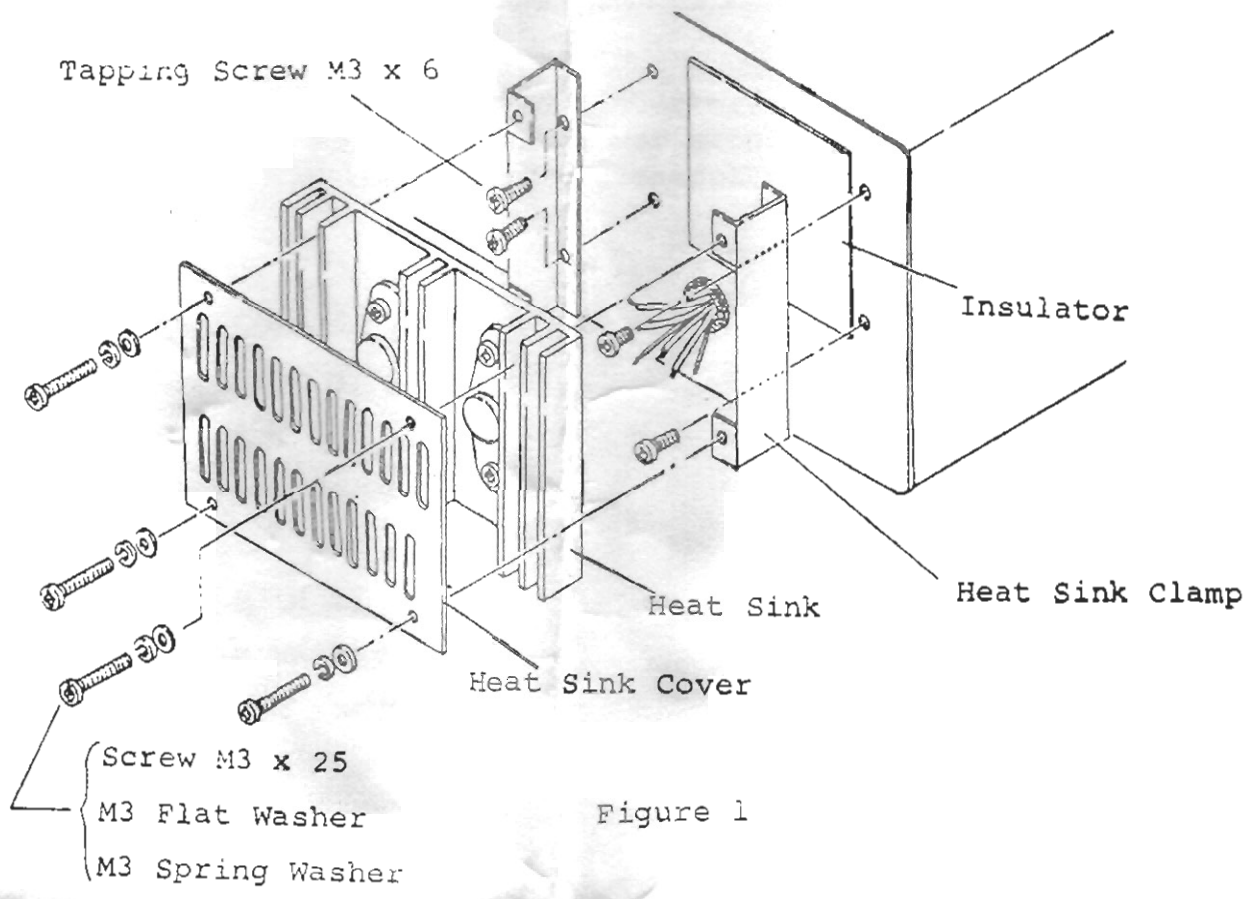


Figure 1

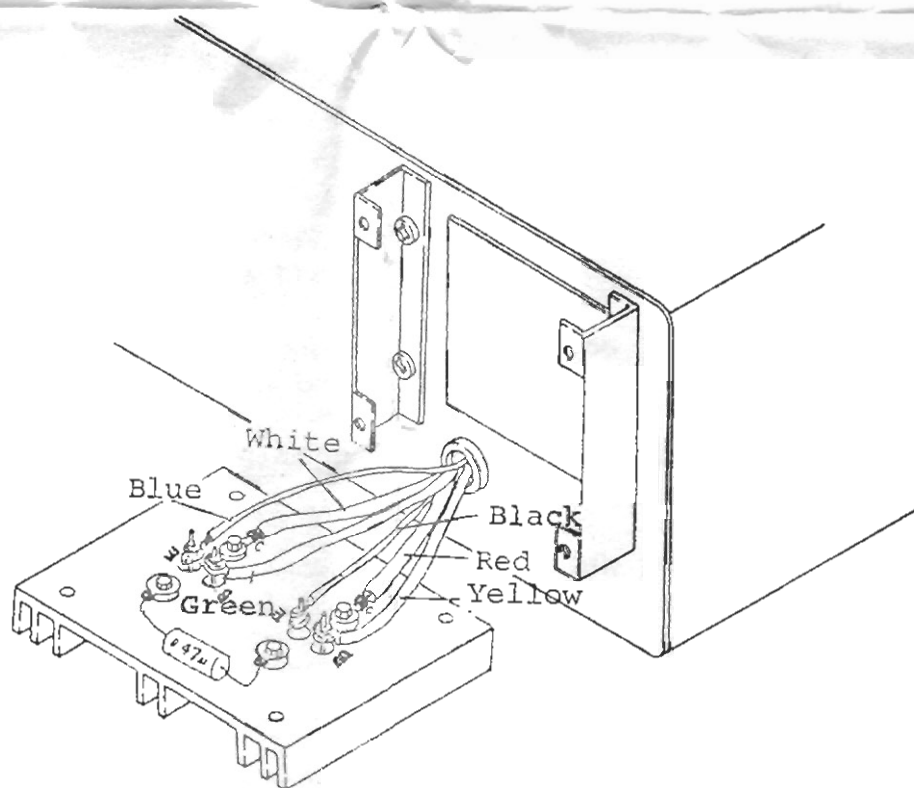


Figure 2